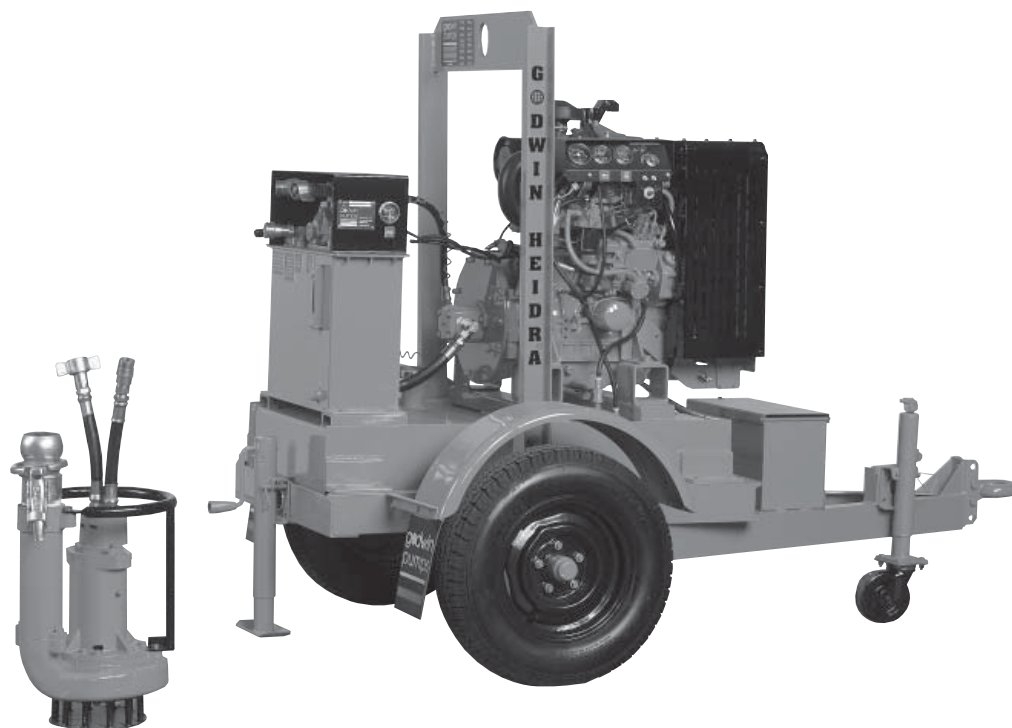


Heidra[®] 80 Hydraulic Submersible Pumps



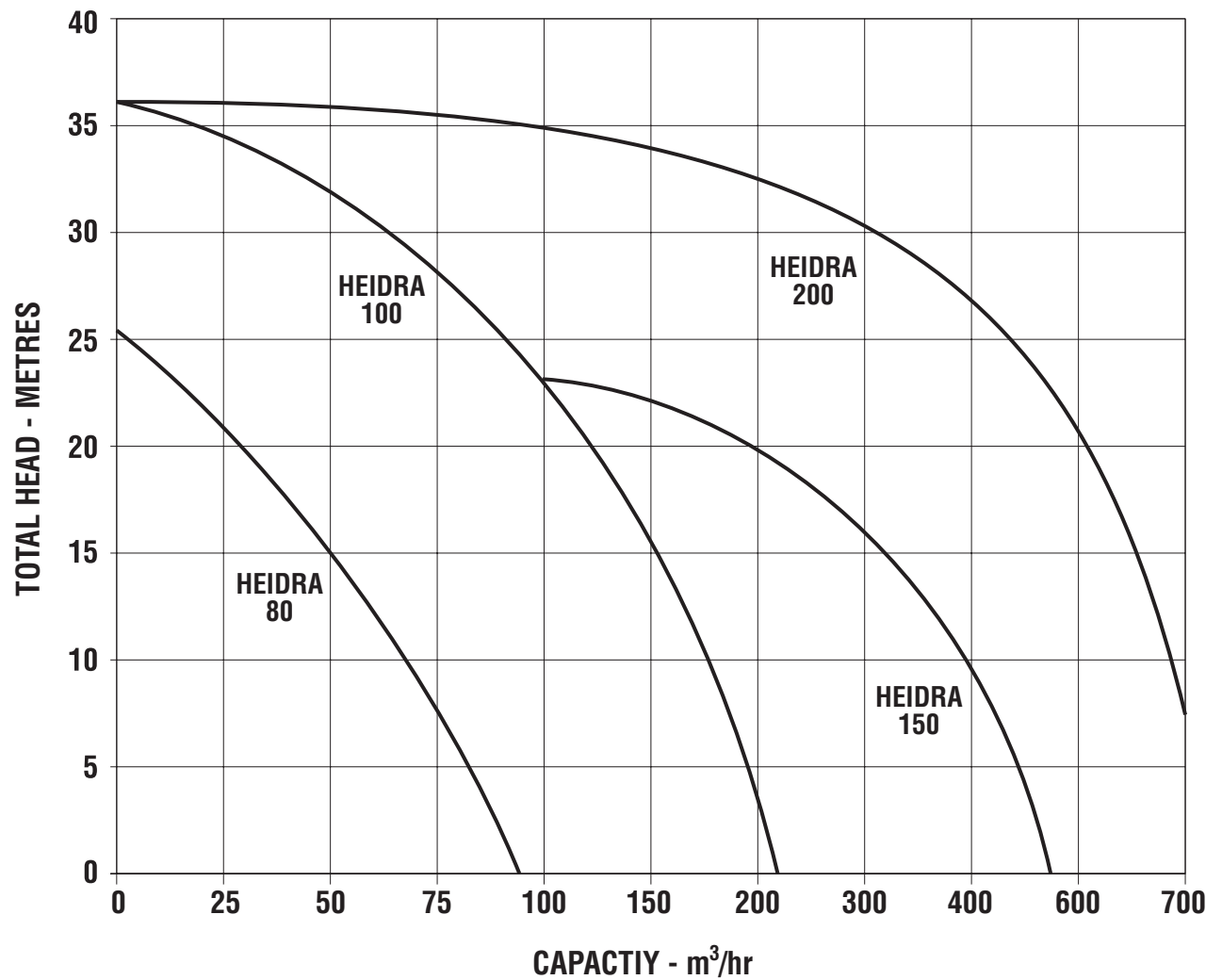
The Godwin 3" (75mm) Heidra 80 hydraulic submersible pump is a compact self-contained pumping unit featuring a diesel driven power pack and 3" (75mm) submersible hydraulic pump. With variable speed diesel engine power, the Heidra 80 can meet a variety of flow and head requirements up to 420 gpm (26.5 l/sec.) and 125' (38.1M) of total dynamic head with a simple throttle adjustment. Add the ability to pass solids to 1-9/16" (40mm) in diameter, dry running capabilities, a cast chromium steel impeller, and you have a rugged dewatering/solids-handling, hydraulic submersible pump ready to go anywhere.

Features

- Rugged construction featuring cast iron pumping chamber and cast chromium steel impeller.
- The pump has independent bearings from the hydraulic gear motor, therefore pump loads in no way affect the gear motor performance.
- Mechanical seal in its own clean oil bath allows for indefinite dry running. Seal faces are solid silicone carbide.
- Standard impeller is designed for general pumping, slurries and sludges. Semi-recessed impeller will provide greater solids-handling capabilities.
- Gear motor connections are standard two-bolt SAE flange.
- For ease of maintenance, the gear motor has a "plug-in" connection to allow for quick changeover when required.

godwin pumps

HEIDRA - HYDRAULIC SUBMERSIBLES



Material Specification for Submersible Pump

Pump Casing/ Separation Tank	Front Wear Plate	Rear Wear Plate	Impeller	Shaft	Adaptor	Mechanical Seal	Strainer	Lifting Frame	Hydraulic Motor
Cast Iron to BS1452 Grade 220 +	Cast Iron to BS1452 Grade 220	Cast Iron to BS1452 Grade 220	Cast Steel to BS3100 1976 GRBW4	Carbon Steel	Cast Iron to BS1452 Grade 220	Silicon Carbide vs Silicone Carbide ++	Mild Steel	Mild Steel	Gear Type
+ HEIDRA100 and 150 available in Aluminium Alloy Grade LM25									
++ HEIDRA 80 Carbon vs Ceramic									

General Specifications:

	HEIDRA 80	HEIDRA 100	HEIDRA 150	HEIDRA 200
SUBMERSIBLE PUMP				
Discharge Connection	3" BSP	4" Table 'D'	6" BSP	200mm PN16
Impeller Diameter	190mm	214mm	280mm	290mm
Speed	2400 RPM	2200 RPM	1500 RPM	2000 RPM
Max Flow	80 M ³ /HR	200 M ³ /HR	400 M ³ /HR	760 M ³ /HR
Max Head	25 Metres	35 Metres	20 Metres	35 Metres
Solids Handling	40mm	45mm	65mm	75mm
L x W x H - mm	530 x 405 x 355	605 x 420 x 420	680 x 580 x 515	1250 x 720 x 600
Weight - Kilos	C.I. - 65	C.I. - 64 / AL.-41	C.I. - 140/ AL.-75	C.I. - 330
POWER PACK				
Hydraulic Hose Connections	1/2" BSP	1/2" BSP	3/4" BSP	1" BSP
Hydraulic Hose Diameter	1/2" NB	5/8" NB	3/4" NB	1" NB
Hydraulic Reservoir Capacity	25 Litres	30 Litres	60 Litres	75 Litres
Hydraulic Oil - Flow - Pressure	10 L/Min - 250 BAR	36 L/Min - 250 BAR	52 L/Min - 250 BAR	100 L/Min - 250 BAR
Non Acoustic Engine	NOT	LISTER TS2	LISTER TS3	LISTER CDT4
Power - Speed	CURRENTLY	15kW @ 2600 RPM	23kW @ 2600 RPM	76kW @ 2000 RPM
dBa at 7 Metres	AVAILABLE	83	83	81
L x W x H - mm	IN	1285 x 1030 x 1395	1575 x 1240 x 1475	3000 x 1130 x 1775
Weight - Kilos	THIS	500	940	2200
Fuel Tank Capacity	ARRANGEMENT	80 Litres	155 Litres	260 Litres
Average Running Hours		20	24	12.5
Acoustic Engine	PERKINS P.102-05	PERKINS P.103-13	PERKINS P.104-19	NOT
Power - Speed	5.2kW @ 2400 RPM	16kW @ 2400 RPM	25kW @ 2400 RPM	CURRENTLY
dBa at 7 Metres	65	69	70	AVAILABLE
L x W x H - mm	1365 x 990 x 1235	1765 x 1015 x 1950	2085 x 1240 x 2000	IN
Weight - Kilos	395	620	760	THIS
Fuel Tank Capacity	30 Litres	80 Litres	155 Litres	ARRANGEMENT
Average Running Hours	20	16	21	

Performance data provided in curves and tables is based on water tests at sea level and 20°C ambient.

Specifications and illustrations subject to revision without notice. All information is approximate and for general guidance only.

H.J.Godwin Limited,
 Quenington, Cirencester,
 Gloucestershire GL7 5BX, England.
 Telephone: 01285 750271
 Fax: 01285 750352
 Telex: 317210 BUREAU.G.
 A Wolseley Company



godwin pumps

QUALITY & RELIABILITY