

CD80D Technical Specification

Standard pump material specification

Bearing Details

| Pump Casing / Separation Tank | Impeller | Wear Plates | Shaft | Engine Adaptor | NRV Body | Ball & Seat | Mechanical Seal | Pump End Bearing | Drive End Bearing | Priming Method |
|-------------------------------|--|----------------------------------|---|----------------------------------|-----------|------------------------|---|-------------------|-------------------|--|
| Cast Iron BS1452 Grade 220 | Cast Steel BS3 100 Hardened to 200 HB Brinell | Cast Iron BS1452 Grade 220 | Carbon Steel to BS 970 Grade 080 M40 | Cast Iron BS1452 Grade 220 | Cast Iron | High Nitrile Rubber | Silicon Carbide vs Silicon Carbide | Roller Bearing | Ball Bearing | Air compressor / Dri-Prime system |

Notes: Alternative material specification available on request

Technical Details:

| | | | |
|----------------------------------|---------------|--------------------------------------|----------|
| Suction: | 3" BSP Female | Maximum Operating Temperature | 80 °C |
| Discharge: | 3" BSP Female | Maximum Working Pressure | 4.03 Bar |
| Maximum Capacity | 94 M3/hr | Maximum Suction Pressure | 2.75 Bar |
| Maximum Head | 21 Meters | Maximum Test Pressure | 6 Bar |
| Maximum Solids handling: | 40 mm | Maximum Operating Speed | 3000 RPM |
| Impeller Type | Fully open | Normal Operating Speed | 2000 RPM |
| Number of Blades | 3 | Minimum Operating Speed | 1400 RPM |
| Maximum Impeller Diameter | 166 mm | | |

Diesel Set - Performance :

Perkins 102-05 4.2kw @ 2000RPM

| Total Suction Head - Meters | Total Delivery Head | | | | |
|-----------------------------|---------------------|----|----|----|----|
| | 3 | 6 | 9 | 12 | 15 |
| 3.0 | 71 | 63 | 52 | 31 | 5 |
| 4.6 | 67 | 57 | 44 | 18 | 0 |
| 6.1 | 57 | 49 | 33 | 5 | 0 |
| 7.6 | 48 | 38 | 20 | 0 | 0 |

Impeller Dia: 166 mm

Performance data provided in tables is based on water tests at sea level and 20 deg c ambient.

Running Period :

Normal Operating speed 30 Hours

Diesel Set - Performance :

Kubota Z482B 4.6kw @ 2000RPM

| Total Suction Head - Meters | Total Delivery Head | | | | |
|-----------------------------|---------------------|----|----|----|----|
| | 3 | 6 | 9 | 12 | 15 |
| 3.0 | 71 | 63 | 52 | 31 | 5 |
| 4.6 | 67 | 57 | 44 | 18 | 0 |
| 6.1 | 57 | 49 | 33 | 5 | 0 |
| 7.6 | 48 | 38 | 20 | 0 | 0 |

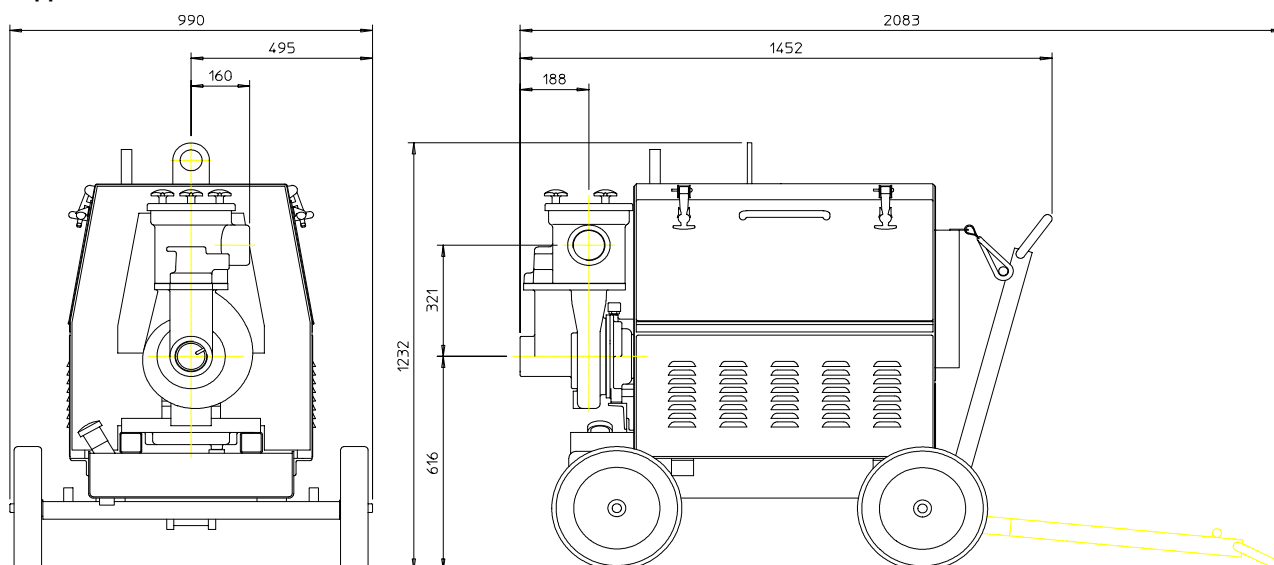
Impeller Dia: 166 mm

Performance data provided in tables is based on water tests at sea level and 20 deg c ambient.

Running Period :

Normal Operating speed 30 Hours

Approximate Dimensions:



Weight 470 KGS DRY
Weight 522 KGS WET

Alternative options available e.g. Highway trailer, Skidbase,
Open set, Silenced set etc. Please Contact **Godwin Pumps Ltd** for details.

| | |
|------------------|---------|
| Reference Number | CD80D_A |
| Issue | 2 |

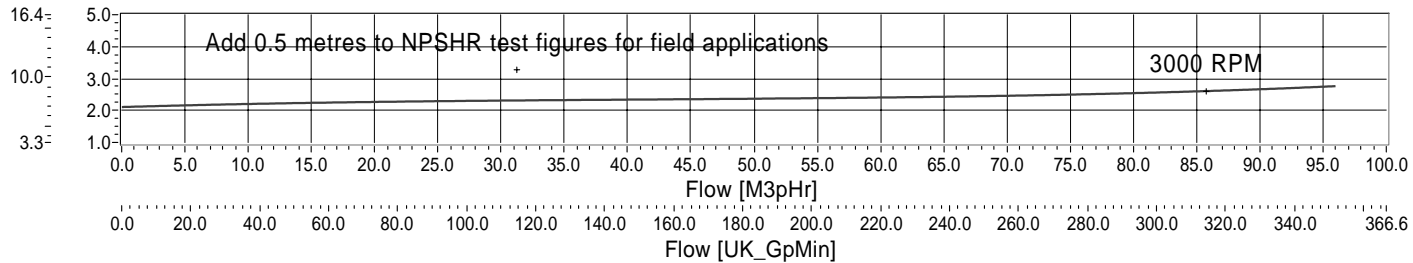
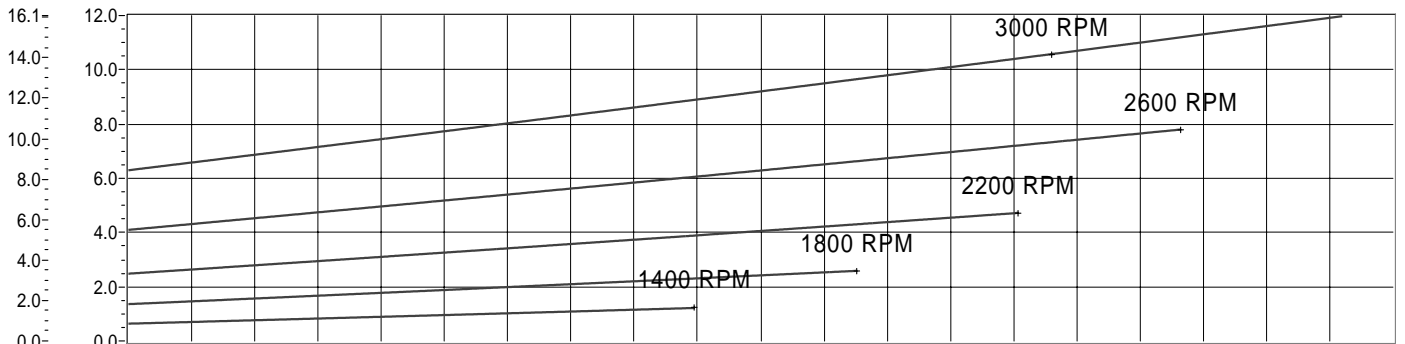
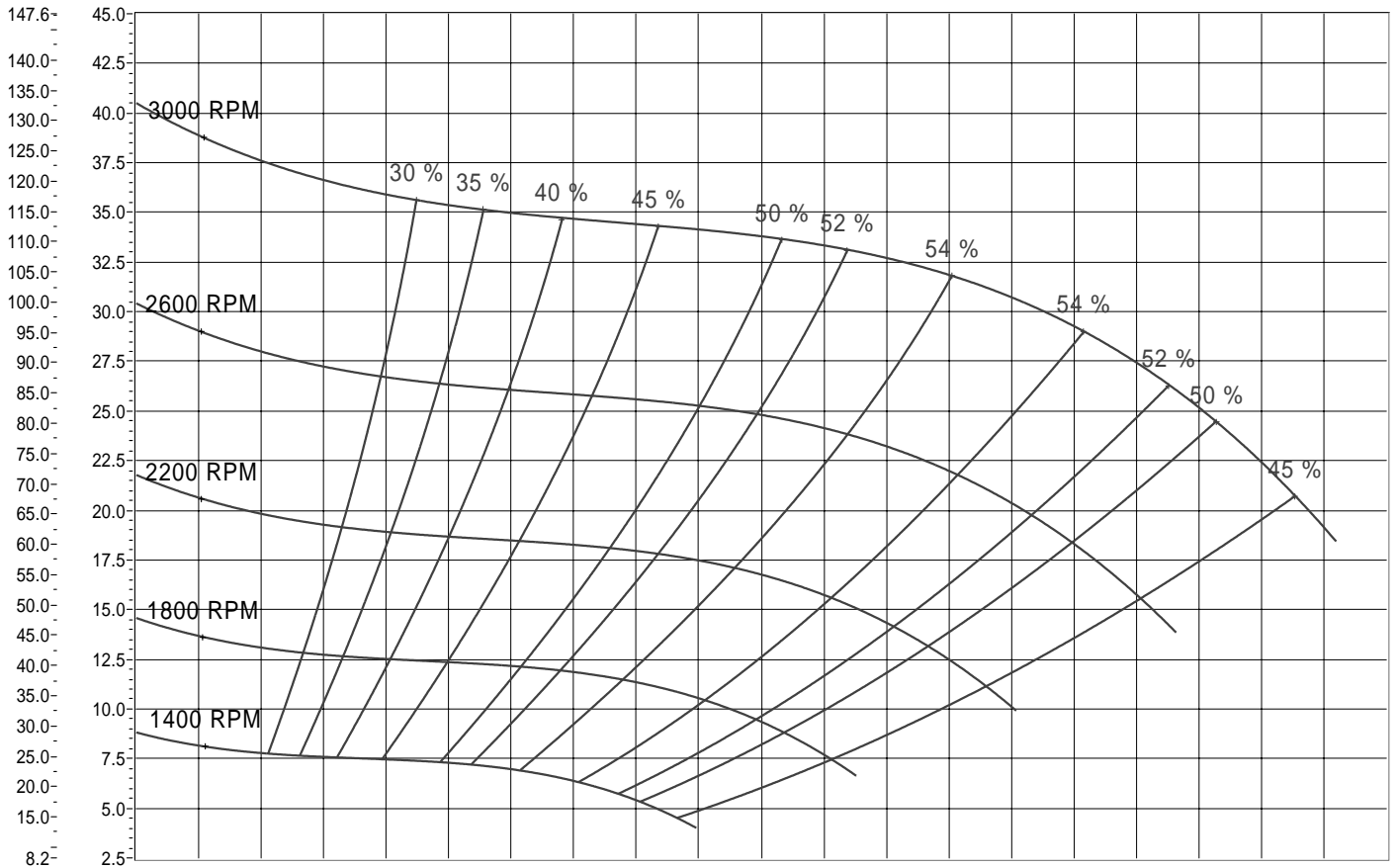
Godwin Pumps Limited
Quenington, Cirencester,
Gloucestershire GL7 5BX, England
Tel: 01285 750271 Fax: 01285 750352
E-mail: sales@godwinpumps.co.uk
Web Site www.godwinpumps.co.uk



Assessed to ISO 9001:2000
Certificate No. 224

godwin pumps

| | |
|--------------|--------------------|
| Pump Type | CD80D |
| Curve No | CD80D-VAR-10/06/04 |
| Branch Sizes | 80 X 80mm |
| Date | 10/06/04 |
| Speed | VARIABLE |



Flow [UK_GpMin]