

CD225M Technical Specification

Standard pump material specification

Pump Casting / Separation Tank	Impeller	Wear Plates	Shaft	Engine Adaptor	NRY Body	Ball & Seat	Mechanical Seal	Pump End Bearing	Drive End Bearing	Priming Method
Cast Iron to BS1452 Grade 220	Cast Steel BS3100 A5 Hardness to 200 HB Brinell	High Chromium Cast Iron HC403:1977	Nickel Chrome Steel to BS 970 Grade M40 EN24T	Cast Iron to BS1452 Grade 220	Cast Iron	High Nitrile Rubber	Silicon Carbide vs Silicon Carbide	Taper Roller	Spherical Taper Roller	Air compressor / Dri-Prime system
Notes: Alternative material specification available on request										

Bearing Details

Technical Details:

Suction:	200mm table 'D'	Maximum Operating Temperature	80 °C
Discharge:	200mm table 'D'	Maximum Working Pressure	5.5 Bar
Maximum Capacity	790 M3/hr	Maximum Suction Pressure	5 Bar
Maximum Head	50 Meters	Maximum Test Pressure	8.25 Bar
Maximum Solids handling:	75 mm	Maximum Operating Speed	2200 RPM
Impeller Type	Fully open	Normal Operating Speed	2000 RPM
Number of Blades	3	Minimum Operating Speed	1400 RPM
Maximum Impeller Diameter	290 mm	Standard compressor absorbs	3 KW

Diesel Set - Performance :

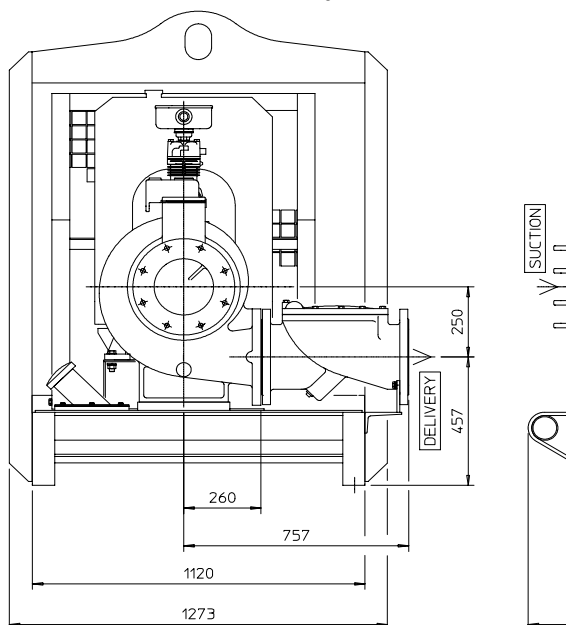
Total Suction Head - Meters	Total Delivery Head				
	6	12	18	24	30
	Output M3/hr				
3.0	683	628	533	410	178
4.6	669	601	492	355	109
6.1	642	574	451	301	-
7.6	574	505	383	219	-

Impeller Dia: 290 mm

Performance data provided in tables is based on water tests at sea level and 20 deg c ambient.

Running Period :	16 Hours	Normal Operating speed
Fuel tank capacity	255 Litres	
Approximate weight	1695 Kgs (DRY)	
	1903 Kgs (WET)	

Approximate Dimensions:	Length	2600 mm
	Width	1300 mm
	Height	1750 mm



Diesel Set - Performance :

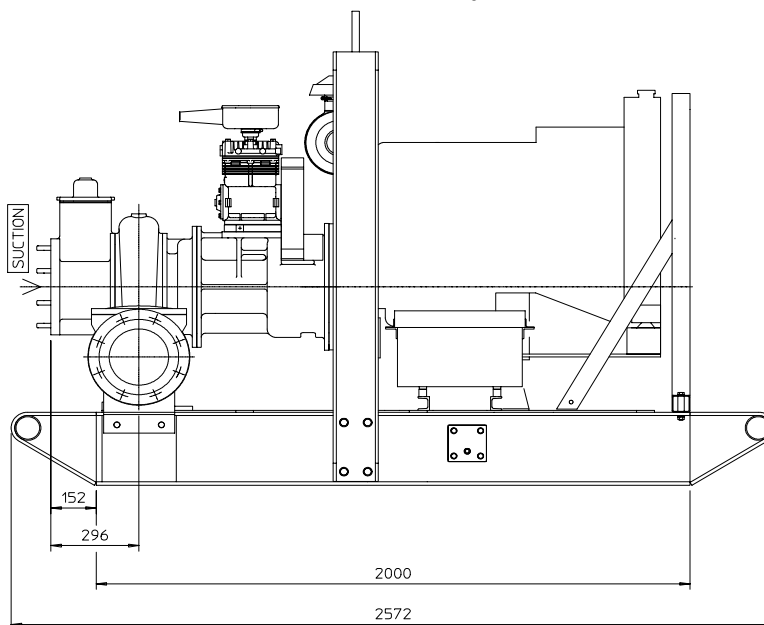
Total Suction Head - Meters	Total Delivery Head				
	9	18	27	37	40
	Output M3/hr				
3.0	710	628	505	321	246
4.6	697	615	473	273	191
6.1	642	546	410	232	-
7.6	560	464	376	137	-

Impeller Dia: 290 mm

Performance data provided in tables is based on water tests at sea level and 20 deg c ambient.

Running Period :	10 Hours	Normal Operating speed
Fuel tank capacity	255 Litres	
Approximate weight	1700 Kgs (DRY)	
	1908 Kgs (WET)	

Approximate Dimensions:	Length	2600 mm
	Width	1300 mm
	Height	1750 mm



Alternative options available e.g. Highway trailer, Site Trolley, Silenced set etc Please Contact **Godwin Pumps Ltd** for details.

Reference Number	CD225M_A
Issue	2

Godwin Pumps Limited
 Quenington, Cirencester,
 Gloucestershire GL7 5BX, England
 Tel: 01285 750271 Fax: 01285 750352
 E-mail: sales@godwinpumps.co.uk
 Web Site www.godwinpumps.co.uk



Assessed to ISO 9001:2000
 Certificate No. 224





Pump Type	CD225M
Curve No	CD225M VAR 100604
Branch Sizes	200 x 200mm
Date	10.06.04
Speed	VARIABLE

